

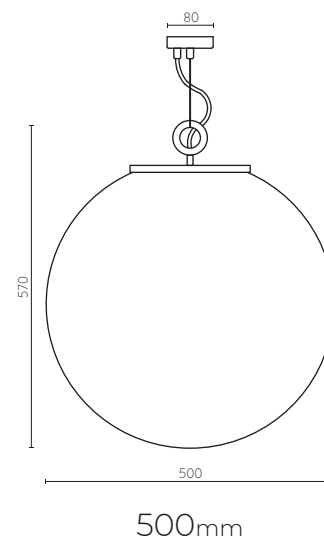


GLASS PENDANT LIGHT WHITE BALL 500 (WITH RING)

Enhanced White Ball.

The most timeless model of all, especially when made of hand-blown opaline glass. Thanks to this technique, slight irregularities in the thickness of glass are bound to appear, which translates into a unique depth and softness of the light it produces.

The version with a ring decor subtly highlights all the classic features of the White Ball.



product category	environment	material	voltage	light source
pendant lamp	indoor	opaline glass and solid brass	230 v - 50Hz	E27 max 25W
cord lenght	canopy	certifications	bulb	
2m	included	CE Class II IP20	not included	

The luminaire is compatible with the bulbs of the energy classes: A++ - E